



Cable Bushing ADN

General Informationen:

The flameproof cable bushings type ADN are designed for electrical connections between flameproof pressure tight enclosures or pressure tight enclosures and terminal boxes of a different certified type of protection.

Approvals:

ATEX: PTB 20 ATEX 1001 U

IEC: IECEX PTB 20.0001U

Labelling:

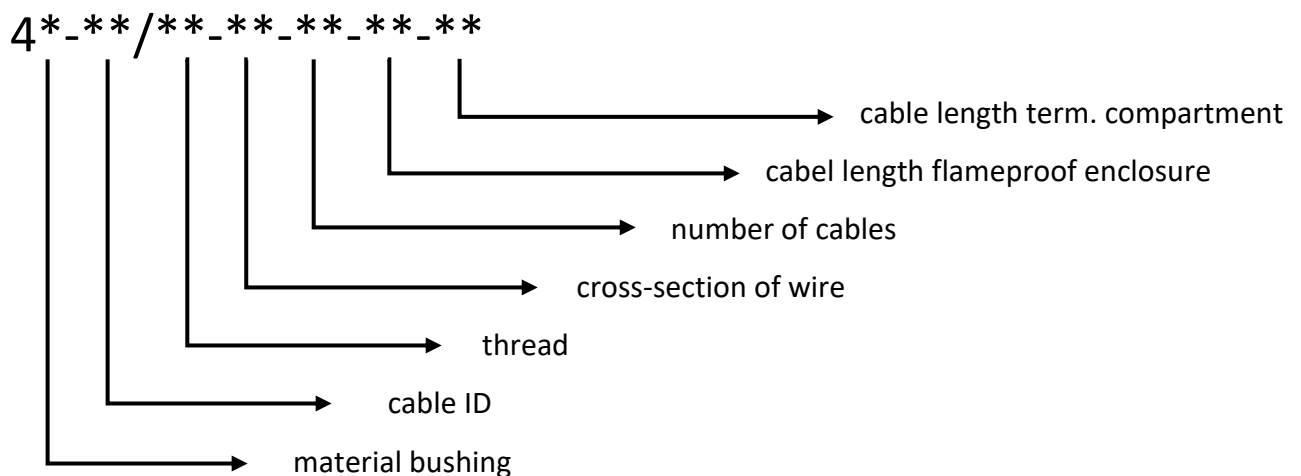
II 2 G Ex db IIC Gb or I M 2 EX db I Mb

Type of Protection:

EN IEC 60079-0 :2018

DIN EN 60079-1 :2014

Type Code:





Technical Details:

material	brass, nickel-plated, stainless steel
size and type of thread, width across flat	M24x1,5 SW30 M25x1,5 SW32 M30x1,5 SW36 M33x1,5 SW41 M36x1,5 SW46 M38x1,5 SW46 M42x1,5 SW50 M48x1,5 SW55
type cable	see table/list of cable
number of cables/wires	maximum configuration up to 47 cables
wire cross-section depending on the wire/cable	0,128mm ² until 500mm ²
smallest cable length AR & DR	200 mm
rated voltage	until 6000 V
rated current	until 800 A
operating temperature	-35°C until +105°C see datasheet of cable

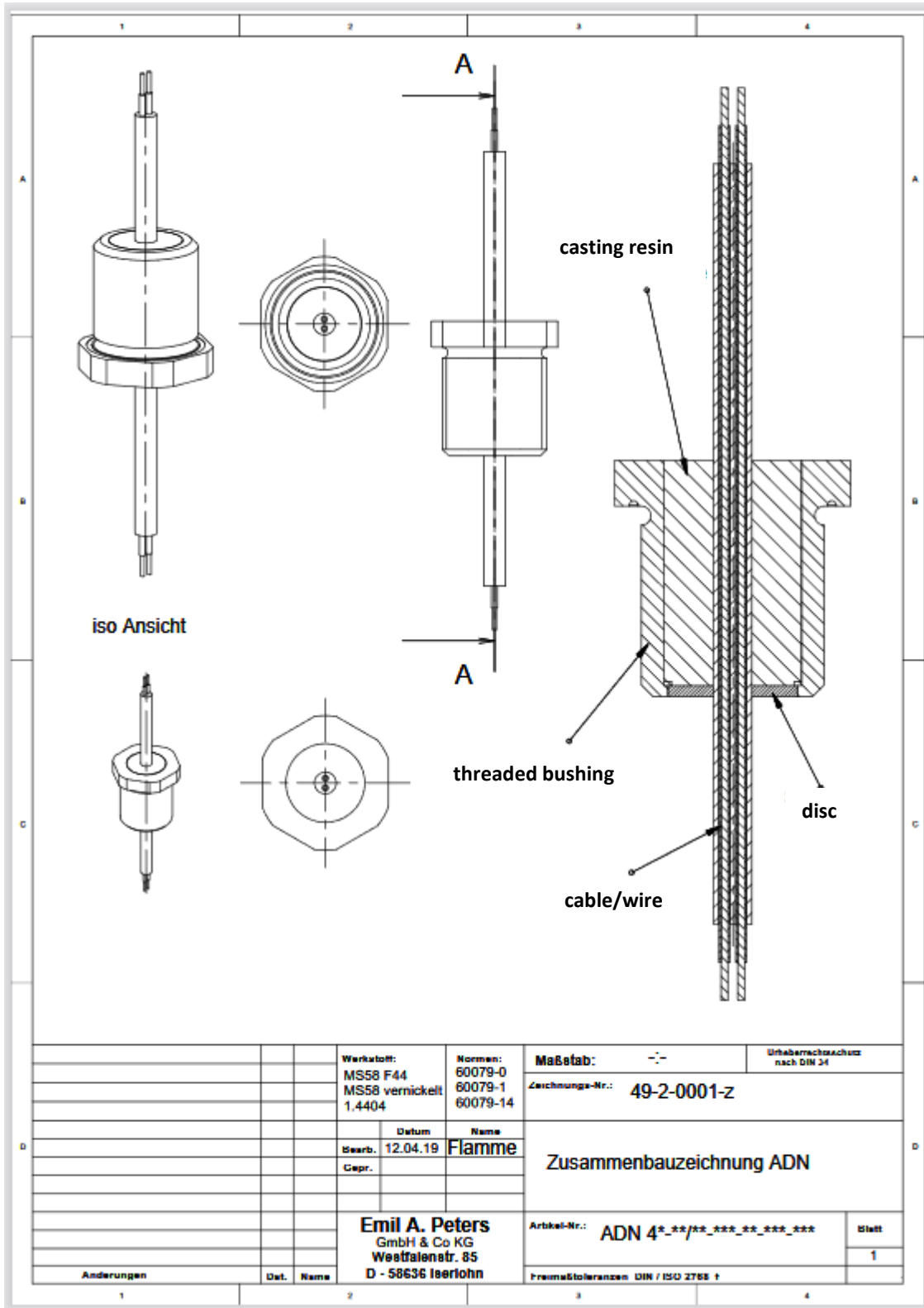
General rules for assembly:

The maximum current capacity in Amperes of the connecting wires, stud-type bushings and bushings must be calculated on following basis: the self-heating rate, the enclosure heating rate "u" and the maximum permissible ambient temperature. The temperature increase depends on the size and number of cables. The temperature measurement has to be done on the equipment. The maximum temperature of the cable and of the compound must not be exceeded. The classification of the temperatures to the corresponding temperature class must be determined during the type test.

20% of the potting without assembly must remain after assembly.

Free assembly is possible. A mixture from data, control and feed cables is possible in compliance with valid standards and guidance. Please observe EMV (2014/30/EU)- and low voltage guidance (2014/35/EU)!

Drawing:





Cablelist

No.	Name of cable	Approved temperature range	Over-pressure	Square
0	USB 3.0 BUM-S18-20	-20 °C to +40 °C	30 bar	5xAWG24 + 4xAWG28
1	Chainflex Busleitung	-20 °C to +50 °C	30 bar	0,125-1,5 mm ²
2	H07RN-F	-20 °C to +40 °C	30 bar	1-500mm ²
3	O1-.../CWJH-...20 Fiber Optic Simplex,	-20 °C to +50 °C	30 bar	Fiber E9 0,6-0,9mm
4	Railcat7 4x (2x24AWG) XMS Radox Traktionsk.		30 bar	24-32AWG
5	JZ-500 HMH-C (3x1,5mm ²)	-20 °C to +40 °C	30 bar	0,5-10mm ²
6	HELUKAT S 100	-25 °C to +60 °C	41,1 bar	1,5mm ²
7	HELUKAT S 200	-25 °C to +60 °C	41,1 bar	AWG24/G19
8	HELUKAT S 500	-25 °C to +60 °C	41,1 bar	AWG24/7
9	RG Koaxialkabel GR 58 C/U	-25 °C to +60 °C	41,1 bar	0,2-0,6mm ²
10	HELUKAT IND 100	-25 °C to +60 °C	41,1 bar	AWG26/7
11	HELUKAT IND 200	-25 °C to +60 °C	41,1 bar	AWG26/7
12	HELUKAT IND 600	-25 °C to +60 °C	41,1 bar	AWG23
13	HELUKAT IND 1000	-25 °C to +60 °C	41,1 bar	AWG26/7
14	HELUKAT IND 1200	-25 °C to +60 °C	41,1 bar	AWG23/1
15	HELUKAT 500S	-25 °C to +60 °C	41,1 bar	AWG24/7
16	BISPGEBER 512 PUR	-35 °C to +60 °C	43,5 bar	0,14-1,0mm ²
17	BISPSERV PUR	-35 °C to +60 °C	43,5 bar	1,5-95mm ²
18	ÖLFLEX® EB (3x1mm ²)	-35 °C to +60 °C	43,5 bar	0,75-1,5mm ²
19	H05V-K	-35 °C to +60 °C	43,5 bar	0,5-1,0mm ²
20	Profibus PA	-35 °C to +60 °C	43,5 bar	0,64mm ²
21	Profibus SK	-35 °C to +60 °C	43,5 bar	0,64mm ²
22	BUS USB3.0	-35 °C to +60 °C	43,5 bar	AWG24-28
23	Profibus Bisrsion Unitronic Bus PbTORSION	-35 °C to +60 °C	43,5 bar	0,8mm ²
24	12.../FSN(ZN)YR- 130 Radox Drag chain cable	-35 °C to +60 °C	43,5 bar	E9 G50 125 µm
25	F-C. PURÖ-jz	-35 °C to +60 °C	43,5 bar	0,5-6mm ²
26	ToughCat cat.7S/FTP	-35 °C to +60 °C	43,5 bar	0,27mm ²
27	OZ-500 (3x1,5mm ²)	-35 °C to +60 °C	43,5 bar	0,5-185mm ²
28	JZ-500 PUR (3x1,5mm ²)	-35 °C to +60 °C	43,5 bar	0,5-16mm ²
29	JZ-600-Y-CY (3G1,5)	-35 °C to +60 °C	43,5 bar	0,5-185mm ²
30	PAAR TRONIC CY (3x2x0,14)	-35 °C to +60 °C	43,5 bar	0,14-1,5mm ²
31	SUPER PAAR TRONIC (1x2x0,25)	-35 °C to +60 °C	43,5 bar	0,25-1,0mm ²
32	NSSHÖU	-35 °C to +60 °C	43,5 bar	1,5-300mm ²
33	NSGAFÖU	-35 °C to +60 °C	43,5 bar	1,5-300mm ²
34	Tachofeedback Leitung	-35 °C to +60 °C	43,5 bar	0,5-10mm ²
35	H05G-K/H07G-K	-35 °C to +60 °C	43,5 bar	1,5-120mm ²
36	Radox 125	-35 °C to +105 °C	43,5 bar	0,35-300mm ²
37	Radox UL 3266	-35 °C to +105 °C	43,5 bar	0,128-5,26mm ²
38	Radox UL 3271	-35 °C to +105 °C	43,5 bar	0,2-150 mm ²
39	4 GKW-AX 1800V 1x10M BK Radox Traktion	-35 °C to +105 °C	43,5 bar	0,5-400mm ²
40	9 GKW-AX 3600V 1x10M BK Radox Traktion	-35 °C to +105 °C	43,5 bar	1,5-300mm ²
41	BETAtherm 145UL	-35 °C to +105 °C	43,5 bar	0,5-95mm ²
42	Radox155s FLR Anticapillary	-35 °C to +105 °C	43,5 bar	0,35-6mm ²
43	Radox 155	-35 °C to +105 °C	43,5 bar	0,25-240mm ²
44	Radox155s FLR Anticapillary Automotiv (Single insulation)	-35 °C to +105 °C	43,5 bar	0,35-35mm ²
45	Radox155s FLR Anticapillary Automotive	-35 °C to +105 °C	43,5 bar	0,35-35mm ²